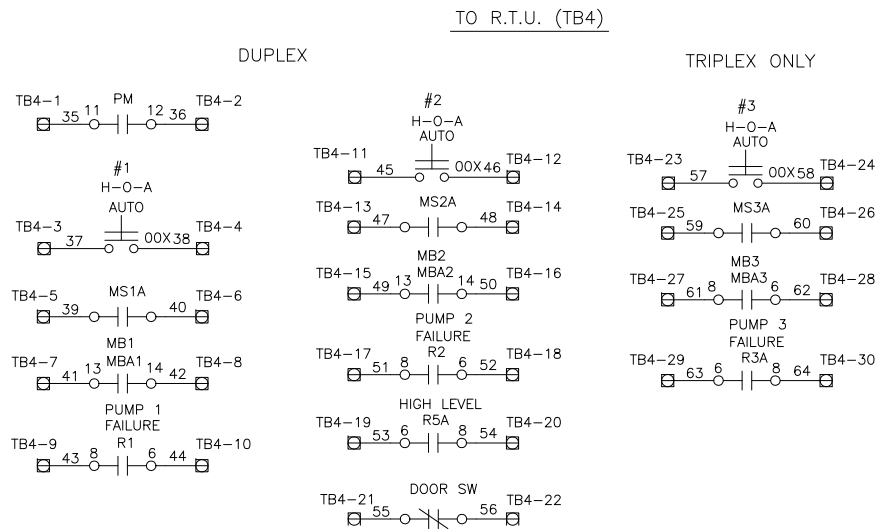
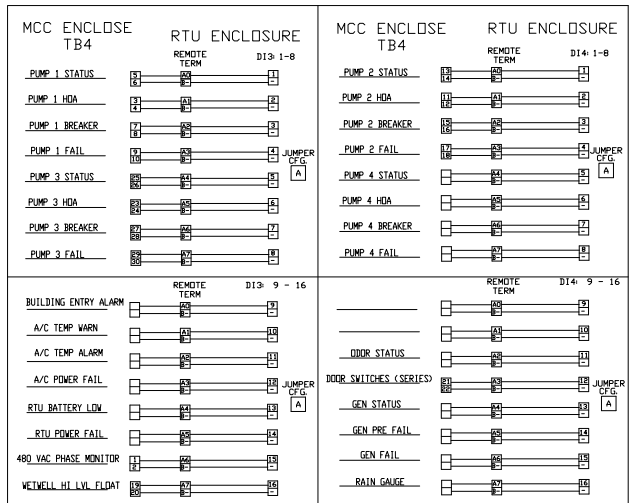


NOTES:

1. ALL ENCLOSURE WIRE TO BE #16 AWG, COLOR BLUE, TYPE 1007
2. ALL FIELD WIRING SHALL BE DONE BY OTHERS
3. * INCLUDED AT CITY DISCRETION
4. AI MULTI INPUT 7 CAN BE FOR ANY OF THE FOLLOWING
FORCE MAIN PRESSURE
FLOW METER
5. RTU PURCHASE CONTACT INFORMATION:
EMERSON WATER AUTOMATION SOLUTIONS
200 BETA DRIVE PITTSBURGH, PA. 15238 (877)826-8514
BOB BENDER 678-427-7418
REF # CITY OF SAVANNAH MODEL: SVH2013



LIFT STATION-SCADA RTU CONTROLWAVE LOOP WIRING (VFD)

STANDARD
CONSTRUCTION
DETAILS



SCALE: N.T.S.
DATED: JAN 2017
PLATE NUMBER:
S22