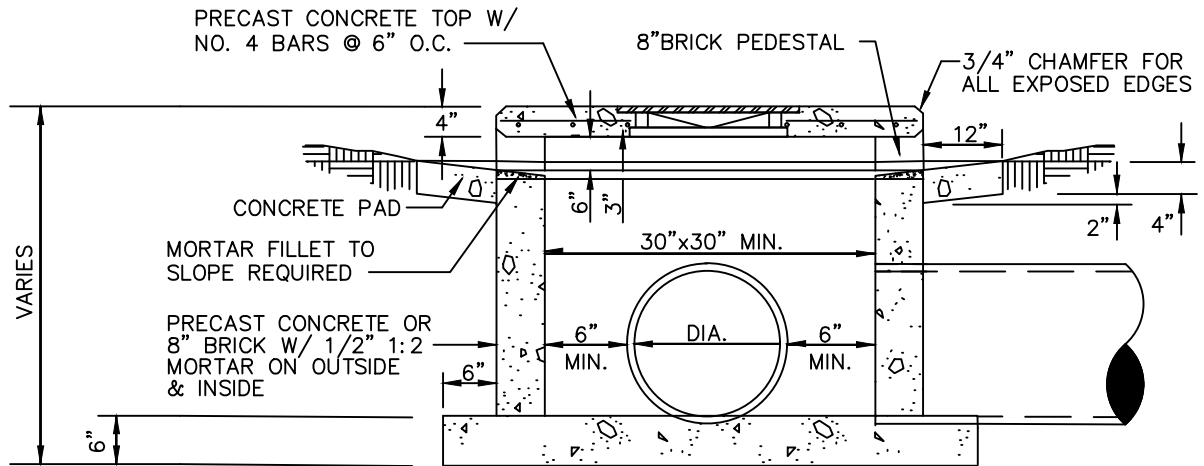


PLAN



STANDARD CONSTRUCTION
DETAILS



ROOF INLET

PLATE NUMBER:

APPROVED:

CITY ENGINEER

SCALE: N.T.S.

DATED: FEBRUARY 2019

D6